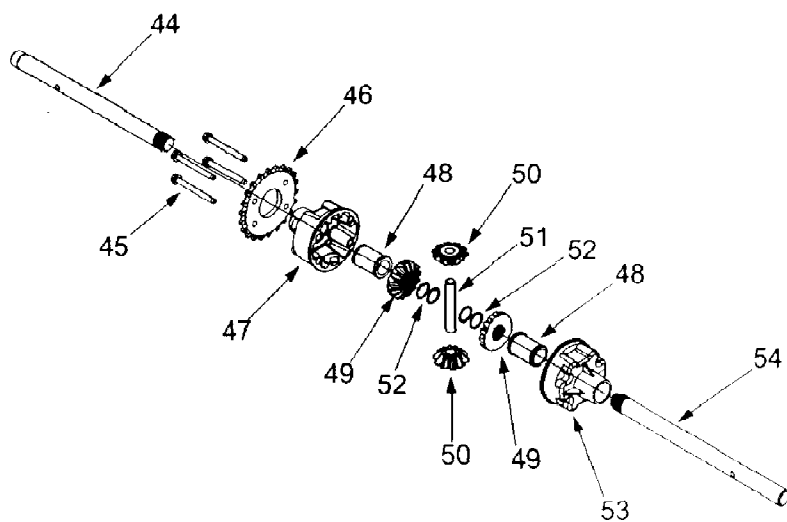
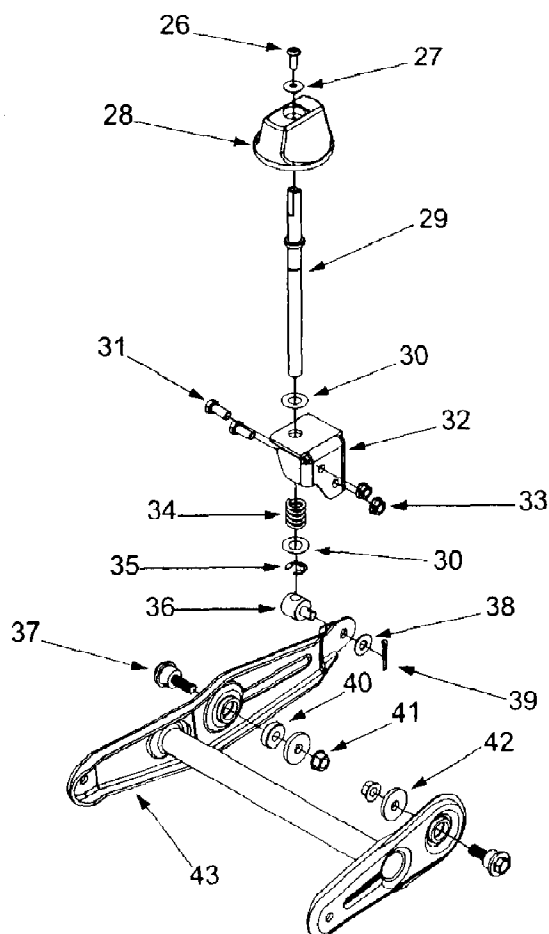
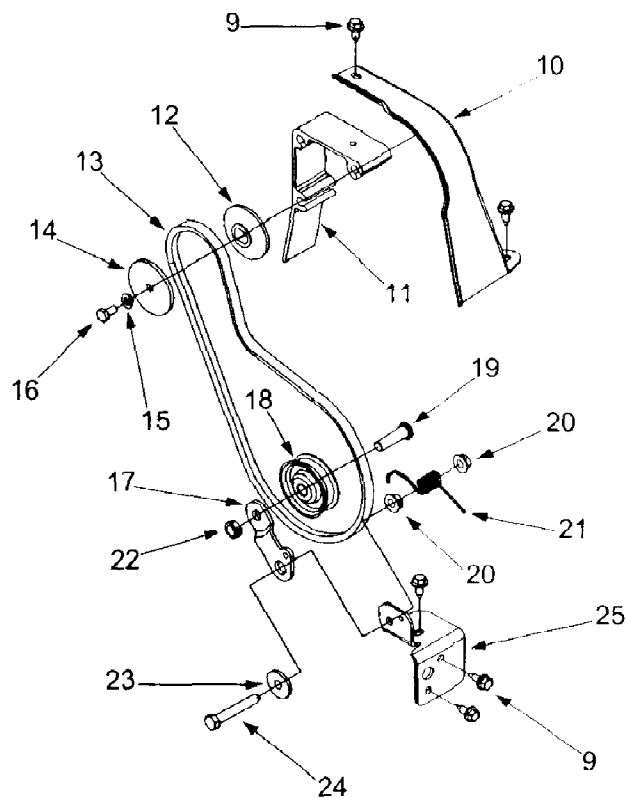
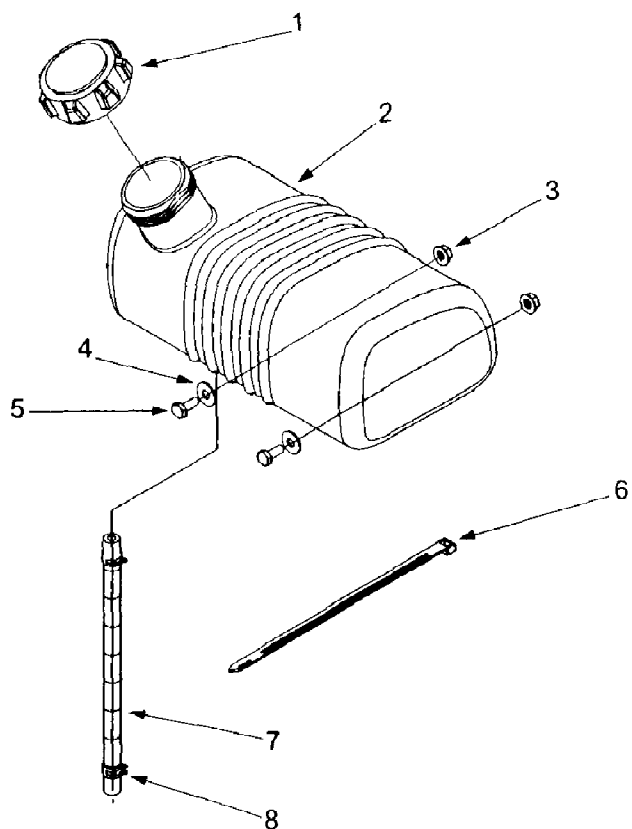


24A-315C190 YB-950 (2001)
Drive & Fuel Tank



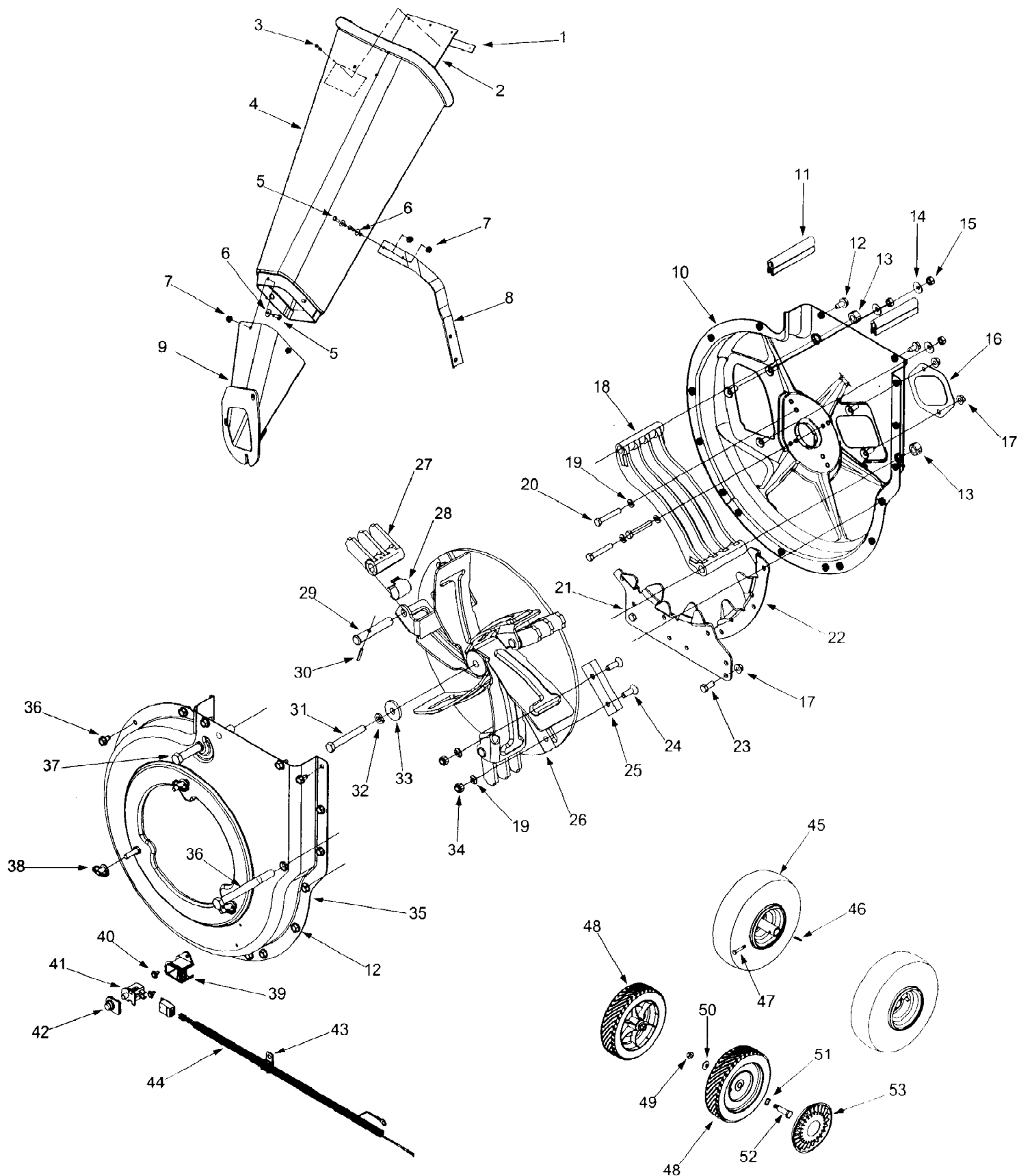
24A-315C190 YB-950 (2001)
Drive & Fuel Tank

Page 2 of 10

Ref #	Part Number	Qty	S/P/F	Description
1	751-0603	1	S	Fuel Cap
2	751-0610	1		Gas Tank - 1 Gallon
3	712-3027	1	S	Hex Lock Nut 1/4-20
4	736-0173	1	/P	Flat Washer .28 ID x .74 OD
5	710-0751	1	/P	Hex Cap Screw 1/4-20 x .620
6	726-0209	1	/P	Cable Tie
7	751-0535	1		Fuel Line
8	726-0205	1	/P	Hose Clamp
9	710-0896	1	/P	Hex Washer Screw 1/4-14 x .625
10	731-1584	1	/P	Belt Cover
11	719-0330A	1	/P	Engine Mounting Adapter
12	756-0987	1	S	Pulley Half
13	754-0256	1	S	V-Belt
14	756-0986	1		Pulley Half
15	736-0329	1	S	Lock Washer 1/4
16	710-0230	1	/P	Hex Cap Screw 1/4-28 x .50
17	781-0614	1		Idler Bracket
18	756-0313	1	/P	Flat Idler
19	710-0723	1	/P	Hex Cap Screw 3/8-16 x 1.25
20	712-3004A	1	/P	Hex Lock Nut 5/16-18
21	732-0745	1		Torsion Spring
22	712-0266	1	S	Lock Nut 3/8-16
23	748-0234	1	/P	Shoulder Spacer
24	710-0646	1	S	Hex Cap Screw 5/16-18 x 2.0
25	781-0611	1		Idler Pivot Bracket
26	710-0924	1	/P	Machine Screw 1/4-20 x .75
27	736-0270	1	/P	Bell Washer .265 ID x .75 OD
28	720-0236	1	S	Knob
29	747-0361	1		Height Adjustment Rod
30	736-0369	1	S	Flat Washer .508 ID x 1.0 OD
31	710-3008	1	/P	Hex Cap Screw 5/16-18 x .75
32	781-0605	1	S	Height Adjustment Bracket
33	712-3004A	1	/P	Hex Lock Nut 5/16-18
34	732-0645	1	S	Compression Spring
35	716-0104	1	S	E Ring
36	711-1041	1		Adjustment Ferrule
37	738-0955	1		Shoulder Screw 3/8-16
38	736-0300	1	S	Flat Washer .406 ID x .875 OD
39	714-0115	1	S	Cotter Pin
40	711-0242	1	S	Spacer
41	712-0431	1	S	Flange Lock Nut 3/8-16
42	736-0247	1	/P	Flat Washer .375 ID x 1.25 OD
43	681-0096	1		Pivot Wheel Bracket Assembly
44	711-1038	1		Axle Shaft .750 x 9.8
45	710-1206	1	/P	Hex Washer Screw 1/4-20 x 2.375
46	713-0445	1		Sprocket 22T
47	719-0334	1		Differential Housing LH
48	748-0383	1	S	Flange Bearing .75 ID x 1.0 OD x 1.5
49	717-1358	1		Differential Gear 14T
50	717-1437	1		Differential Gear 10T
51	711-1035	1		Cross Shaft .427 x 2.7
52	716-0232	1		Retaining Ring
53	719-0333	1		Differential Housing RH

24A-315C190 YB-950 (2001)
Drive & Fuel Tank

Ref #	Part Number	Qty	S/P/F	Description
54	711-1037	1		Axle Shaft .750 x 10.954



24A-315C190 YB-950 (2001)
General Assembly

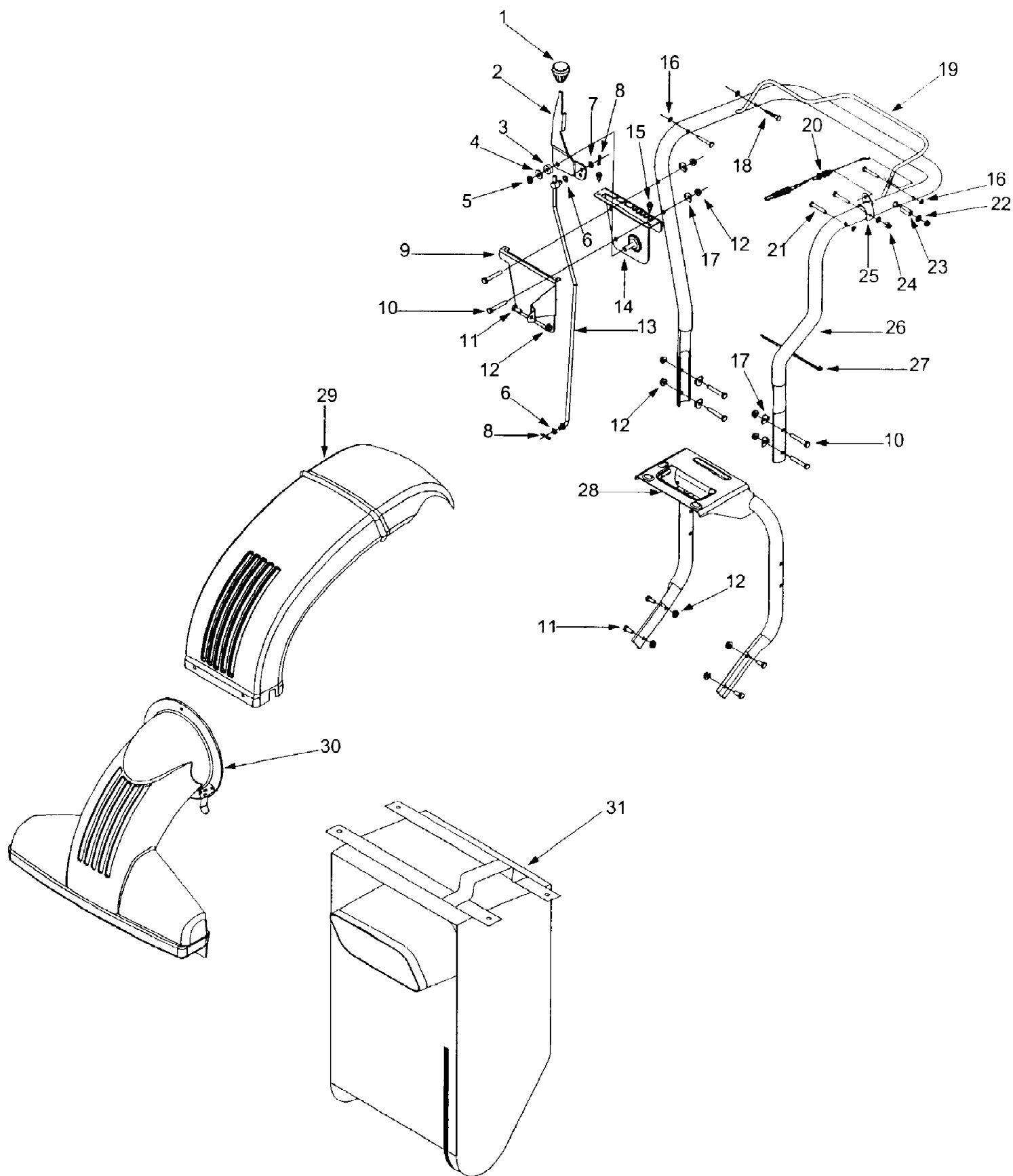
Page 5 of 10

Ref #	Part Number	Qty	S/P/F	Description
1	781-0633	1		Chute Flap Strip
2	735-0249	1	S	Chute Flap
3	728-0175	1		Pop Rivet
4	731-1574	1	S	Chipper Chute
5	710-0751	1	/P	Hex Cap Screw 1/4-20 x .620
6	736-0173	1	/P	Flat Washer .28 ID x .74 OD
7	712-3027	1	S	Hex Lock Nut 1/4-20
8	781-0625	1		Support Bracket
9	681-0068A	1	/P	Chipper Chute Assembly
10	681-0059	1		Inner Housing Assembly
11	723-0438	1		Rubber Seal
12	710-0604	1	S	Hex Washer Screw 5/16-18 x .60
13	712-0384	1	S	Hex Lock Nut 1/2-13
14	736-0242	1	/P	Bell Washer .345 ID x .88 OD
15	712-3010	1	S	Hex Nut 5/16-18
16	781-0627	1		Chipper Blade Cover
17	712-3004A	1	/P	Hex Lock Nut 5/16-18
18	719-0326	1		Flail Screen
19	736-0119	1	S	Lock Washer 5/16
20	710-0772	1	/P	Hex Cap Screw 5/16-24 x 2.0
21	781-0598	1	S	Lower Shredder Blade
22	781-0599	1	S	Upper Shredder Blade
23	710-3008	1	/P	Hex Cap Screw 5/16-18 x .75
24	710-1054	1	/P	Hex Cap Screw 5/16-24 x 1.0
25	781-0544	1		Chipper Blade
26	681-0078	1	S	Impeller Assembly
27	719-0329	1		Flail Blade
28	781-0735	1		Pin Clip
29	711-0833B	1	S	Clevis Pin
30	715-0166	1		Pin
31	710-1273	1		Hex Cap Screw 3/8-24 x 2.75
32	736-0217	1	S	Lock Washer 3/8
33	736-0247	1	/P	Flat Washer 3/8 x 1.25
34	712-0411	1	S	Hex Lock Nut 5/16-24
35	681-0060	1	/P	Outer Housing Assembly
36	710-0607	1	/P	Hex Washer Screw 5/16-18
37	710-0382	1		Hex Cap Screw 1/2-13 x 5.0
38	712-0421	1		Knob 5/16-18 x .70
39	731-1613	1	S	Safety Switch Mounting Cover
40	710-1268	1	/P	Hex Washer Screw #10-16 x .30
41	725-3166	1	S	Snap Mount Switch
42	725-1700	1	S	Switch Cover
43	726-0272	1	/P	Clamp
44	629-0241	1		Wire Harness
45	634-0100	1		Wheel Assembly 10 x 4.0
46	714-0104	1	S	Cotter Pin
47	711-1017	1	/P	Clevis Pin
48	734-1513B	1	S	Wheel Assembly 8 x 2.0
49	712-0431	1	S	Hex Lock Nut 3/8-16
50	736-0105	1	/P	Bell Washer .401 ID x .870 OD
51	736-0232	1	S	Wave Washer .53 ID x .78 OD
52	738-0213	1	/P	Shoulder Bolt
53	731-0982A	1		Shoulder Bolt

24A-315C190 YB-950 (2001)
General Assembly

Ref #	Part Number	Qty	S/P/F	Description
	731-1617	1	/P/F	Tamper Plug

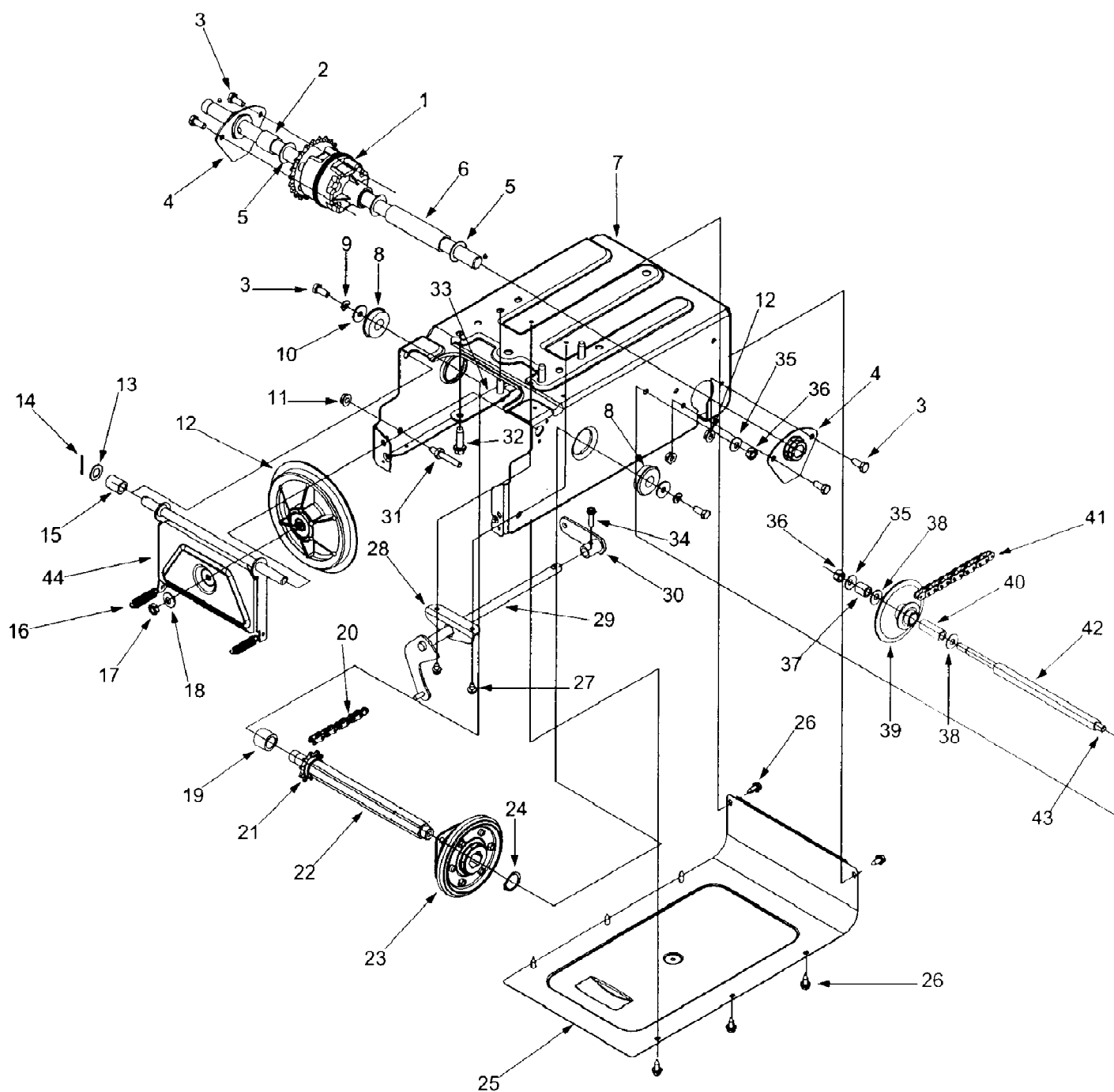
24A-315C190 YB-950 (2001)
Handle, Nozzle, Bag



24A-315C190 YB-950 (2001)
Handle, Nozzle, Bag

Page 8 of 10

Ref #	Part Number	Qty	S/P/F	Description
1	720-0232	1	S	Shift Knob
2	784-0297A	1	/P	Shift Lever
3	735-0126	1	S	Rubber Washer
4	736-0300	1	S	Flat Washer
5	712-0116	1	S	Lock Nut 3/8-24
6	736-0413	1	/P	Spring Washer
7	736-0117	1	S	Flat Washer .375 ID x .620 OD
8	714-0104	1	S	Cotter Pin
9	781-0626	1		Shift Cover
10	710-3103	1	/P	Hex Cap Screw 5/16-18 x 2.0
11	710-3008	1	/P	Hex Cap Screw 5/16-18 x .75
12	712-3004A	1	/P	Flange Lock Nut 5/16-18
13	747-0626	1		Shift Rod
14	681-0076	1		Shift Bracket Assembly
15	710-0896	1	/P	Hex Washer Screw 1/4-14 x .625
16	1539-019	1		Push Nut .250
17	736-0451	1	S	Shoulder Washer .320 ID x .93 OD
18	711-0737	1	S	Pin .250 x 1.75
19	747-1133	1		Drive Clutch Handle
20	746-1080	1		Clutch Cable
21	710-0136	1	/P	Hex Cap Screw 1/4-20 x 1.75
22	736-0275	1	S	Flat Washer 5/16
23	750-1185	1		Spacer .345 ID x .51 OD
24	712-0442	1	S	Lock Nut 1/4-20
25	781-0157	1	S	Cable Mounting Bracket
26	749-1083	1		Upper Handle
27	725-0157	1	/P	Cable Tie
28	649-0012	1		Lower Handle
29	731-1573	1		Discharge Chute
30	631-0028	1	S	Nozzle Assembly
31	764-0472	1	S	Vacuum Bag



Ref #	Part Number	Qty	S/P/F	Description
1	618-0168	1		Transmission Assembly
2	750-0981	1		Spacer .782 ID x 1.0 OD
3	710-3008	1	/P	Hex Cap Screw 5/16-18 x .75
4	681-0058	1	/P	Axle Bracket Assembly
5	736-0287	1	S	Flat Washer .793 ID x 1.24 OD
6	750-0980	1		Spacer .782 ID x 1.0 OD
7	681-0081	1		Frame Assembly
8	741-0563	1	S	Ball Bearing
9	736-0119	1	S	Lock Washer 5/16
10	736-3089	1	/P	Flat Washer .312 ID x .934 OD
11	712-3004A	1	/P	Flange Lock Nut 5/16-18
12	656-0012A	1	S	Friction Disc Assembly
13	736-0160	1	S	Flat Washer .53 ID x .93 OD
14	714-0111	1	S	Cotter Pin
15	748-0382	1		Spacer .508 ID x .75 OD
16	732-0209	1	S	Extension Spring .48 OD x 2.03
17	712-0711	1	/P	Jam Nut 3/8-24
18	736-0105	1	/P	Spring Washer .401 ID x .870 OD
19	750-0998	1		Spacer .675 ID x 1.0 OD
20	713-0284	1		Chain #41 36 Links
21	713-0413	1		Sprocket 10T #41
22	711-1073	1		Hex Shaft .875
23	684-00428	1		Friction Wheel Assembly
24	716-0102	1	S	Snap Ring 1.0 Dia.
25	781-0612A	1		Bottom Frame Cover
26	710-0896	1	/P	Hex Washer Screw 1/4-14 x .625
27	710-0653	1	/P	Hex Washer Screw 1/4-20 x .375
28	784-5590	1		Frame Shift Bracket
29	681-0082	1		Shift Shaft Assembly
30	681-0072	1		Shift Assembly
31	738-0908	1		Idler Bolt 5/16-18 x 2.25
32	710-0502A	1	/P	Hex Washer Screw 3/8-16 x 1.25
33	781-0638A	1	/P	Frame Reinforcement Plate
34	710-0788	1	/P	Hex Washer Screw 1/4-20 x 1.0
35	736-0105	1	/P	Spring Washer .401 ID x .870 OD
36	712-0241	1	/P	Hex Nut 3/8-24
37	750-0979	1		Spacer .407 ID x .625 OD
38	736-0267	1	S	Flat Washer .375 ID x .870 OD
39	713-0330	1		Sprocket Assembly 9T & 22T
40	750-0351	1		Sleeve .380 ID x .623 OD x 1.5
41	713-0374	1	/P	Chain #420 36L
42	750-0978	1		Spacer .407 ID x .625 OD x 7.86
43	711-1028	1		Jack Shaft .375 x 11.40
44	681-0055	1	S	Friction Wheel Support Bracket